



RESIDENTIAL CHIMNEY LINERS, 2-PLY FLEX

ECCO is proud to be a member of:



ASHRAE

American Society of
Heating, Refrigerating, and
Air-Conditioning Engineers, Inc.
www.ashrae.org



HARDI

Heating, Airconditioning &
Refrigeration Distributors
International
www.hardinet.org



SMACNA

Sheet Metal and Air
Conditioning Contractors'
National Association
www.smacna.org



SPIDA

Spiral Duct
Manufacturers
Association
www.spida.org



HPBA

Hearth, Patio &
Barbecue
Association
www.hpba.org



INDEX

4" OFFSET BOXES — STAINLESS STEEL.....	A7-6
CHIMNEY CAP ASSEMBLY — 5" EXTENSION	A7-3
CHIMNEY LINERS	
2-PLY — ALUMINUM.....	A7-3
2-PLY — CARTON — ALUMINUM	A7-3
CAP ASSEMBLY — ALUMINUM	A7-3
EXTENSIONS — 2-PLY — WITH COUPLER — ALUMINUM.....	A7-4
KITS	
ALUMINUM.....	A7-4
STAINLESS STEEL.....	A7-5
COUPLERS — STAINLESS STEEL	A7-6
DRIPLESS CONNECTORS — STAINLESS STEEL	A7-6
ELBOWS — STAINLESS STEEL	
45°	A7-7
90°	A7-7
FLASHINGS — STAINLESS STEEL.....	A7-8
FLUE ADAPTERS — STAINLESS STEEL	A7-7
LINER REDUCERS — STAINLESS STEEL.....	A7-7
LOW PROFILE LINER CAPS — 4" EXTENSION — ALUMINUM	A7-5
LOW PROFILE LINER RAINCAPS — ALUMINUM.....	A7-5
RAIN CAPS — STAINLESS STEEL	A7-8
SUPPORT COLLARS — STAINLESS STEEL	A7-8
TEES WITH CLEANOUT — STAINLESS STEEL	A7-6

LEGEND

NOTE: The boxed columns throughout the tables are intended to provide a quick determination of ordering dimensions.

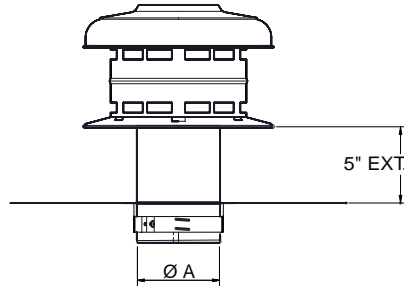
ABBREVIATIONS: CTN/QTY = Carton Quantity
 LGTH/CTN = Length per Carton
 PCS/CTN = Pieces per Carton
 WT/100 = Weight per 100 Pieces

CHIMNEY CAP ASSEMBLY — 5" EXTENSION

ITEM #	SIZE (")	A (")	CTN/QTY	WT/100
301023	3	3	*	400
301024	4	4	*	400
301025	5	5	*	400
301026	6	6	*	500
301027	7	7	*	500
301028	8	8	*	500

*Product shipped individually, not in cartons.

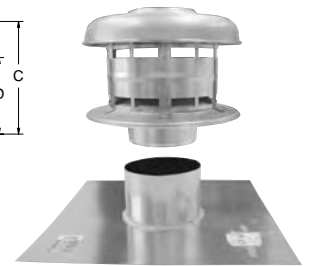
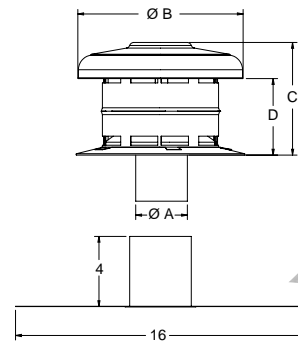
NOTE: Base – Galvanized / Cap – Aluminum



CHIMNEY LINER CAP ASSEMBLY — ALUMINUM

ITEM #	SIZE (")	A (")	B (")	C (")	D (")	CTN/QTY	WT/100
301003	3	3	8	6-1/8	4	*	285
301004	4	4	9-3/8	6-1/8	4	*	309
301005	5	5	10-3/4	7	4-1/2	*	323
301006	6	6	12-3/8	7	4-1/2	*	345
301007	7	7	14	7-3/4	5	*	368
301008	8	8	15-5/8	7-3/4	5	*	392

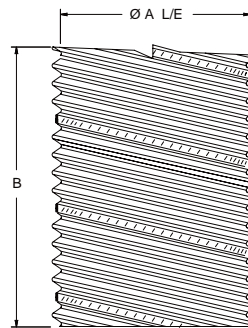
*Product shipped individually, not in cartons.



CHIMNEY LINER — 2-PLY — ALUMINUM

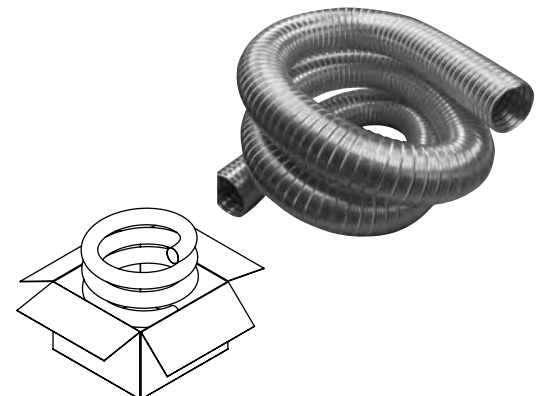
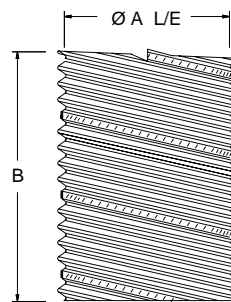
ITEM #	SIZE	A (")	B (')	CTN/QTY	WT/100
300907	7" x 25'	7	25	*	52
300908	8" x 25'	8	25	*	60
300937	7" x 35'	7	35	*	52
300938	8" x 35'	8	35	*	60
300953	3" x 50'	3	50	*	20
300954	4" x 50'	4	50	*	28
300955	5" x 50'	5	50	*	36
300956	6" x 50'	6	50	*	44
300957	7" x 50'	7	50	*	52
300958	8" x 50'	8	50	*	60

*Product shipped individually, not in cartons.



CHIMNEY LINER — 2-PLY — CARTON — ALUMINUM

ITEM #	SIZE	A (")	B (')	CTN/QTY	WT/100
300990	3" x 25'	3	25	1	530
300991	4" x 25'	4	25	1	730
300992	5" x 25'	5	25	1	930
300993	6" x 25'	6	25	1	1130
300996	3" x 35'	3	35	1	730
300997	4" x 35'	4	35	1	1010
300998	5" x 35'	5	35	1	1290
300999	6" x 35'	6	35	1	1570



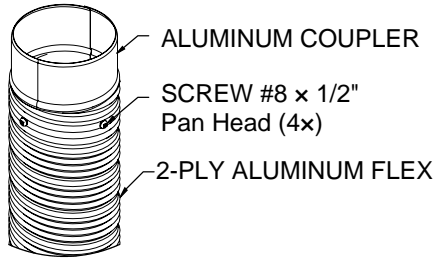
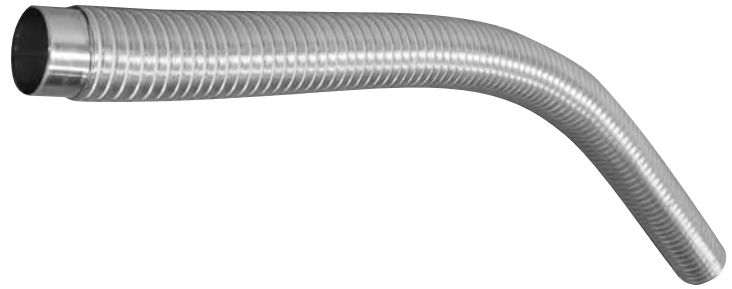
— E.&O.E. — All Prices F.O.B. Our Warehouse — Subject to Change Without Notice — All Taxes Extra



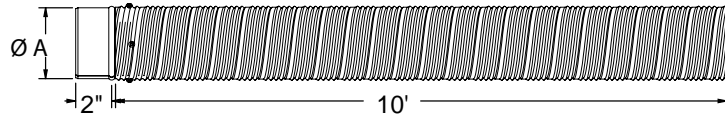
CHIMNEY LINERS, 2-PLY FLEX

CHIMNEY LINER EXTENSIONS — 2-PLY — WITH COUPLER — ALUMINUM

ITEM #	SIZE	A (")	PCS/CTN	WT/100
301063	3" x 10'	3	35	220
301064	4" x 10'	4	20	295
301065	5" x 10'	5	13	375
301066	6" x 10'	6	9	440



DETAIL VIEW

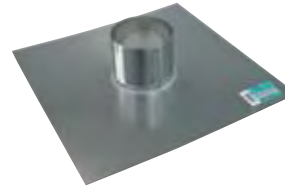


CHIMNEY LINER KITS — ALUMINUM

ITEM #	SIZE	CTN/QTY	WT/100
301043	3" x 25'	1	1100
301044	4" x 25'	1	1350
301045	5" x 25'	1	1575
301046	6" x 25'	1	1750
301053	3" x 35'	1	1500
301054	4" x 35'	1	1850
301055	5" x 35'	1	2175
304056	6" x 35'	1	2525



Rain Cap



Support Plate



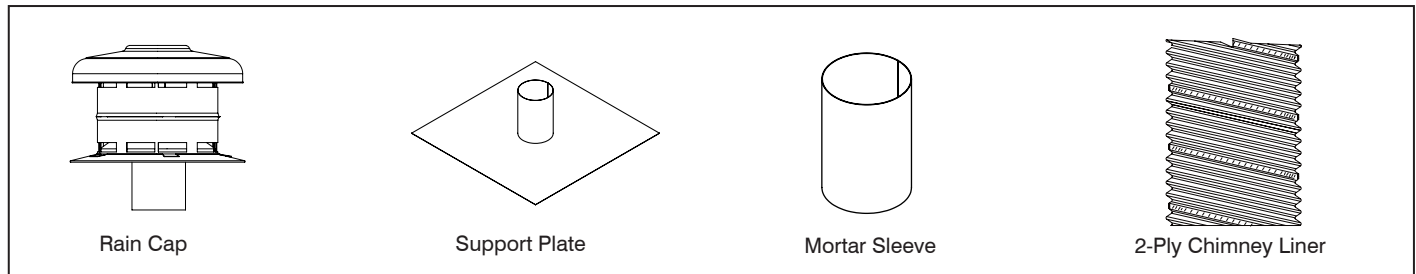
Mortar Sleeve



2-Ply Chimney Liner

Chimney Liner Kit includes:

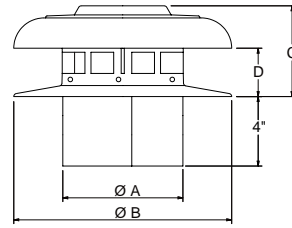
- 1 – Rain Cap
- 1 – Support Plate
- 1 – Mortar Sleeve
- 1 – 2-Ply Chimney Liner



– E.&O.E. – All Prices F.O.B. Our Warehouse – Subject to Change Without Notice – All Taxes Extra

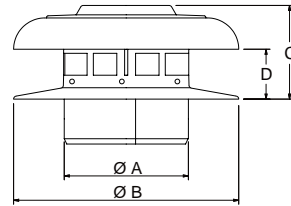
LOW PROFILE LINER CAPS — 4" EXTENSION — ALUMINUM

ITEM #	SIZE (")	A (")	B (")	C (")	D (")	CTN/QTY	WT/100
301017	3	3	8	2-7/8	1-3/8	10	60
301018	4	4	8	3-1/8	1-5/8	10	80
301019	5	5	9	3-1/2	2	10	100



LOW PROFILE LINER RAINCAPS — ALUMINUM

ITEM #	SIZE (")	A (")	B (")	C (")	D (")	CTN/QTY	WT/100
301014	4	4	8	3-1/8	1-5/8	10	50
301015	5	5	9	3-1/2	2	10	65



CHIMNEY LINER KITS — STAINLESS STEEL

ITEM #	SIZE	CTN/QTY	WT/100
299502	5" x 25'	1	1900
299602	6" x 25'	1	2200

Stainless Steel Liner Kit Assembly includes:

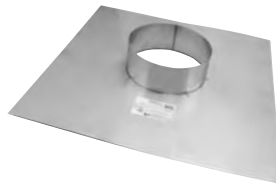
- 1 – Stainless Steel Rain Cap
- 1 – Stainless Steel Dripless Connector
- 1 – Stainless Steel Liner Flashing
- 1 – Stainless Steel Liner Support Collar
- 1 – 25' Stainless Steel Chimney Liner



Stainless Steel Rain Cap



Stainless Steel Dripless Connector



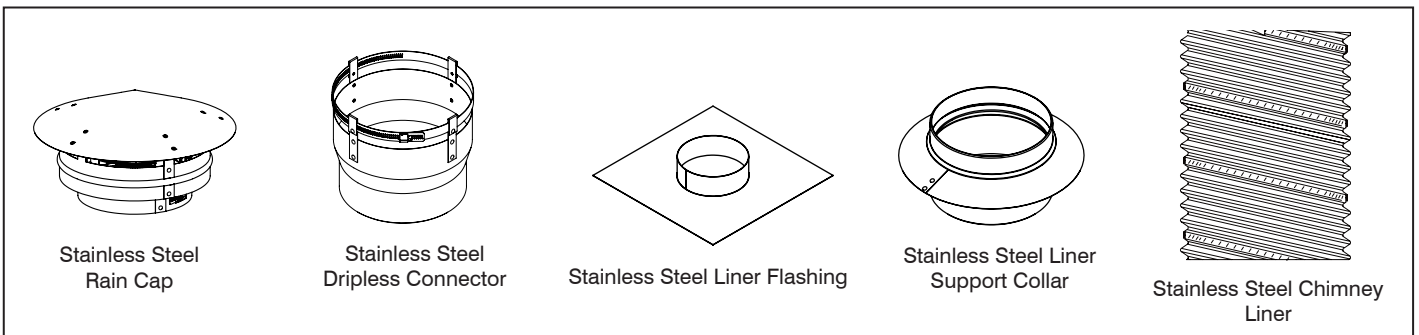
Stainless Steel Liner Flashing



Stainless Steel Liner Support Collar



Stainless Steel Chimney Liner



– E.&O.E. – All Prices F.O.B. Our Warehouse – Subject to Change Without Notice – All Taxes Extra

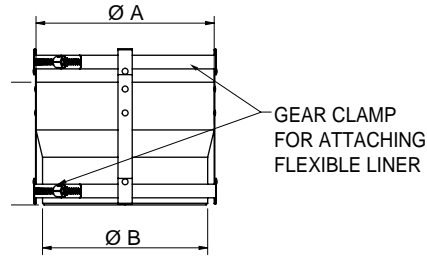


CHIMNEY LINERS, 2-PLY FLEX

COUPLERS — STAINLESS STEEL

ITEM #	SIZE (")	A (")	B (")	CTN/QTY	WT/100
299522	5	5-1/2	5-1/16	10	65
299622	6	6-1/2	6-1/16	10	75

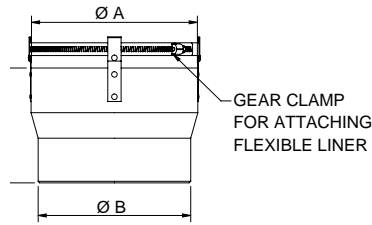
NOTE: General tolerance of dimensions are +/- 1/8" unless otherwise specified.



DRIPLESS CONNECTORS — STAINLESS STEEL

ITEM #	SIZE (")	A (")	B (")	CTN/QTY	WT/100
299524	5	5-1/2	5	10	65
299624	6	6-1/2	6	10	75

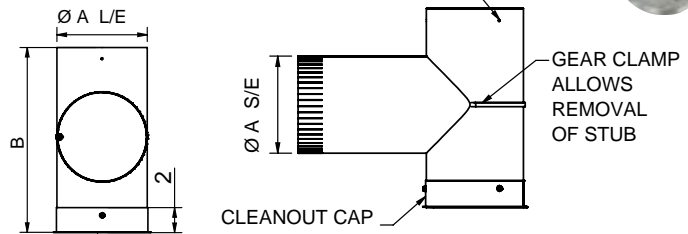
NOTE: General tolerance of dimensions are +/- 1/8" unless otherwise specified.



TEES WITH CLEANOUT — STAINLESS STEEL

ITEM #	SIZE (")	A (")	B (")	CTN/QTY	WT/100
299526	5	5	10-1/4	10	200
299626	6	6	12-1/4	10	240

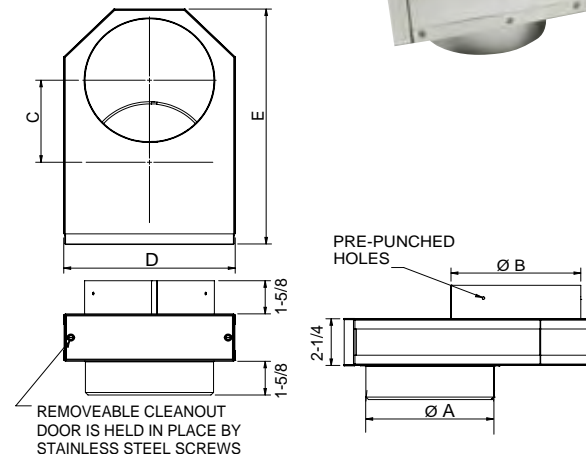
NOTE: General tolerance of dimensions are +/- 1/8" unless otherwise specified.



4" OFFSET BOXES — STAINLESS STEEL

ITEM #	SIZE (")	A (")	B (")	C (")	D (")	E (")	CTN/QTY	WT/100
299528	5	5	5	4	7	10-1/2	10	140
299628	6	6	6	4	8	11-1/2	10	165

NOTE: General tolerance of dimensions are +/- 1/8" unless otherwise specified.

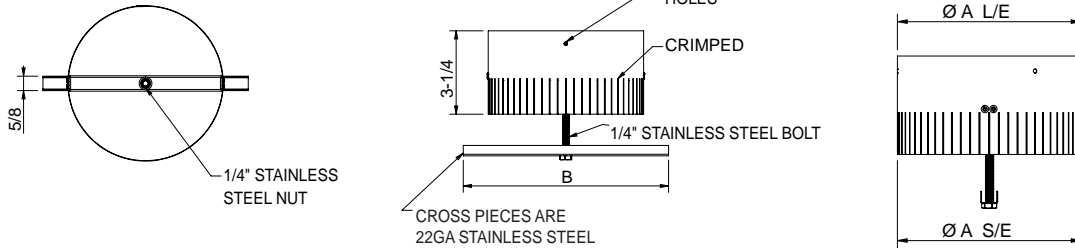


— E.&O.E. — All Prices F.O.B. Our Warehouse — Subject to Change Without Notice — All Taxes Extra

FLUE ADAPTERS — STAINLESS STEEL

ITEM #	SIZE (")	A (")	B (")	CTN/QTY	WT/100
299532	5	5	7	10	60
299632	6	6	8	10	60

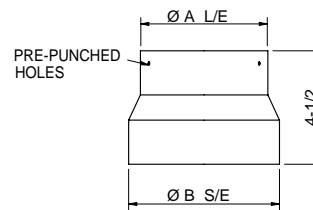
NOTE: General tolerance of dimensions are +/- 1/8" unless otherwise specified.



LINER REDUCERS — STAINLESS STEEL

ITEM #	SIZE (")	A (")	B (")	CTN/QTY	WT/100
299634	6	5	6	10	50

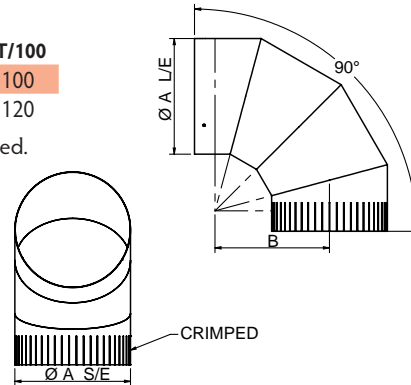
NOTE: General tolerance of dimensions are +/- 1/8" unless otherwise specified.



90° ELBOWS — STAINLESS STEEL

ITEM #	DESCRIPTION	A (")	B (")	CTN/QTY	WT/100
299538	5" x 90°	5	5	10	100
299638	6" x 90°	6	6	10	120

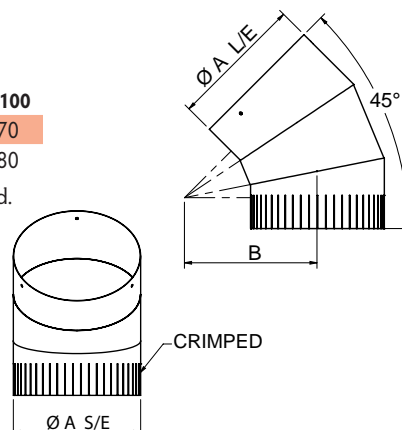
NOTE: General tolerance of dimensions are +/- 1/8" unless otherwise specified.



45° ELBOWS — STAINLESS STEEL

ITEM #	DESCRIPTION	A (")	B (")	CTN/QTY	WT/100
299536	5" x 45°	5	5	10	70
299636	6" x 45°	6	6	10	80

NOTE: General tolerance of dimensions are +/- 1/8" unless otherwise specified.



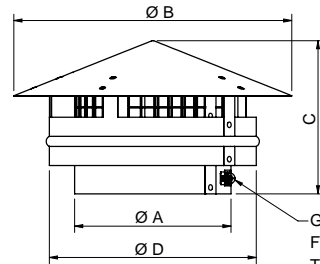
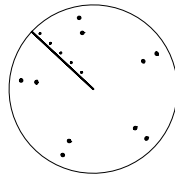


CHIMNEY LINERS, 2-PLY FLEX

RAIN CAPS — STAINLESS STEEL

ITEM #	SIZE (")	A (")	B (")	C (")	D (")	CTN/QTY	WT/100
299540	5	5-3/16	10	5-3/8	7-3/8	10	100
299640	6	6-3/16	11	6	8	10	125

NOTE: General tolerance of dimensions are +/- 1/8" unless otherwise specified.

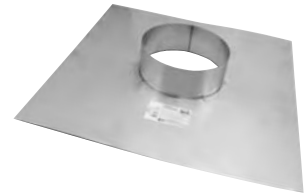
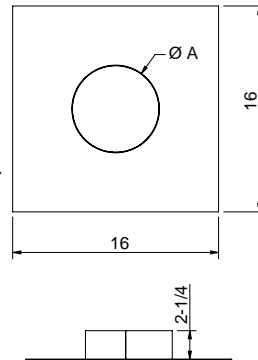


GEAR CLAMP FOR FASTENING TO SUPPORT

FLASHINGS — STAINLESS STEEL

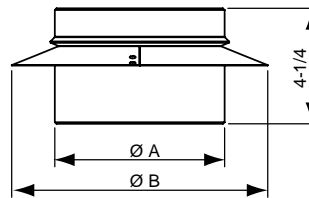
ITEM #	SIZE (")	A (")	CTN/QTY	WT/100
299543	5	5-3/4	10	115
299643	6	6-3/4	10	140

NOTE: General tolerance of dimensions are +/- 1/8" unless otherwise specified.



SUPPORT COLLARS — STAINLESS STEEL

ITEM #	SIZE (")	A (")	B (")	CTN/QTY	WT/100
299545	5	5	8-3/16	10	65
299645	6	6	9-3/16	10	75





KENT DISTRIBUTION

20001 87th Ave., S
Building E
Kent, Washington
U.S.A. 98031

Telephone: **(253) 872-3721**
Toll Free: **1-800-207-6859**
Fax: **(253) 872-3724**

CALGARY DISTRIBUTION

21-11150 38th Street S.E.
Calgary, Alberta
Canada T2C 2Z6

Telephone: **(403) 720-0895**
Toll Free: **1-877-955-4815**
Fax: **(403) 720-0897**

LANGLEY DISTRIBUTION

19860 Fraser Highway
Langley, British Columbia
Canada V3A 4C9

Telephone: **(604) 530-4151**
Toll Free: **1-877-955-4805**
Fax: **(604) 533-9335**

REV. 1